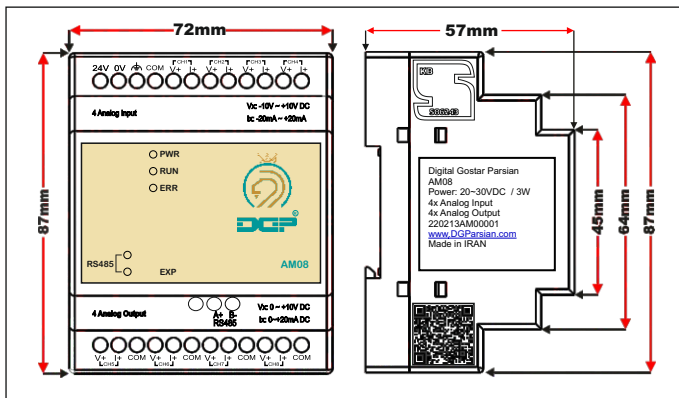
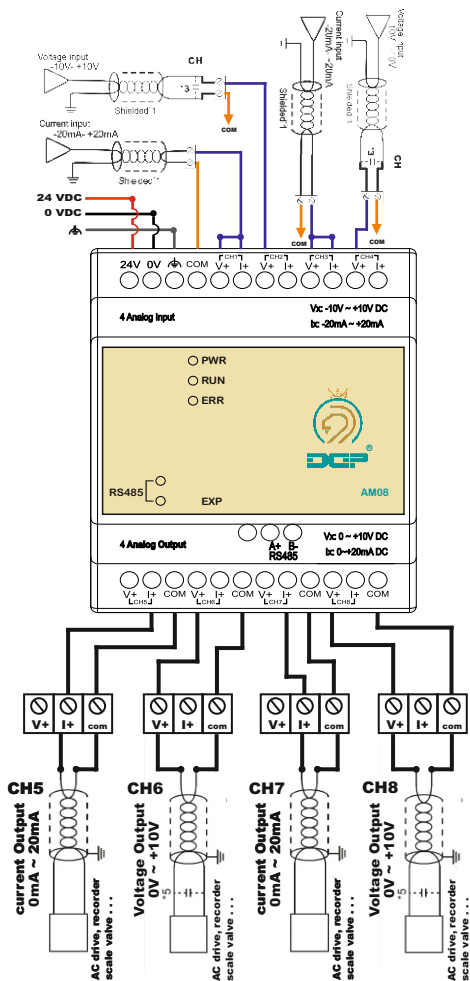


Input (Digital)	
Input voltage	24V DC (20~30) - single common port input
Analog Input (A/D)	
Point	4
Type	-20 ~ 20mA Range(-1000~+1000) -10~+10V Range(-2000~+2000)
Analog Output (D/A)	
Point	4
Type	0 ~ 20mA Range(0~4000) 0 ~ 10V Range(0~4000)
Resolution	12 Bits



ردیف	اطلاعات درج در پلاک محصول	توضیحات
1	QR Code	با اسکن این بارکد اطلاعاتی شامل آدرس وب سایت، ایمیل، شماره تماس در اختیار شما قرار می گیرد.
2	Digital Gostar Parsian	شرکت سازنده کارت افزایشی
3	AM08	مدل کارت افزایشی
4	Power: 20 ~ 30 VDC / 3W	محدوده مجاز ولتاژ تغذیه محصول / توان مصرفی
5	4x Analog Input (-10 ~ 10V)(-20 ~ 20mA)	4 ورودی آنالوگ (-20 ~ 20mA)(-10 ~ 10V)
6	4x Analog Output (0 - 10V)(0 - 20mA)	4 خروجی آنالوگ (0 - 20mA)(0 - 10V)
7	220213XA00001 22 02 13 AM 00001 1 2 3 4 5	1- سال تولید به میلادی 2- ماه تولید به میلادی 3- روز ساخت به میلادی 4- مدل کارت افزایشی 5- چندمین کارت افزایشی تولید شده
8	www.DGParsian.ir	سایت اصلی شرکت سازنده کارت افزایشی
9	Made in Iran	ساخته شده در کشور ایران



کاربرد LED های نمایشگر

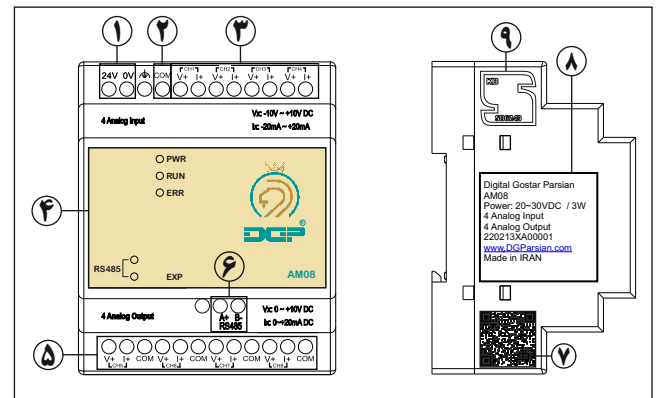
توضیحات	LED
مخفف کلمه POWER می باشد با اتصال حداقل ولتاژ تغذیه این LED روشن می شود	PWR
پس از اتصال کارت به پی ال سی این LED روشن می شود	RUN
زمانی که ولتاژ تغذیه از محدوده تعیین شده خارج شود این LED روشن می شود	ERR
هنگام استفاده از شبکه‌ی مدیاس RS485 این LED روشن می شود	RS485

قابل اتصال به پی ال سی 24RCE
ولتاژ تغذیه 24V DC
دارای شبکه مدیاس RS485
4 ورودی آنالوگ جریانی (-20 ~ +20mA) یا ولتاژی (-10 ~ +10V)
4 خروجی آنالوگ جریانی (0 ~ +20mA) یا ولتاژی (0 ~ +10V)



خطار:
اعمال نیروی زیاد به پیچ های ترمینال باعث خرابی ترمینال ها خواهد شد.
☎ :051-37133855-6
☎ :09014284236
www.ARCOKALIN.COM

گارانتی:
* این محصول دارای گارانتی 1 ساله تعویض و خدمات پس از فروش می باشد
* وقوع هر یک از شرایط زیر باعث لغو گارانتی محصول خواهد شد
- اعمال ولتاژ بیشتر از حد مجاز
- عبور جریان بیشتر از حد مجاز از خروجی های دیجیتال
- ایجاد تغییرات به سبب شکستگی ، ضربه و حرارت بیش از اندازه
- مخدوش شدن هولوگرام روی محصول
- قرار گرفتن محصول در معرض مایعات و گازهای خورنده



1. ورودی تغذیه	2. مشترک
3. ورودی آنالوگ	4. نمایشگر LED
5. خروجی آنالوگ	6. مدیاس RS485
7. QR-code	8. پلاک محصول
9. استاندارد دانش نماد	

CR(Controlled Register)

DGP AM08 Analog Input/Output Mixed Module

Explanation

CR No	RS-485 Parameter Address	Latched	Register Name	model type	Register Name	Explanation	
#0	H40C8	○	R	○	System used, data length is 8 bits (b7~b0). DGP AM08 model code= H CC	b15 b14 b13 b12 b11 b10 b9 b8 b7 b6 b5 b4 b3 b2 b1 b0 Reserve must be 0 CH4 CH3 CH2 CH1	
#1	H40C9	○	R/W	○	Input Mode Setting	Input mode setting: (CH1~CH4) Mode 0: input voltage mode (0V~10V). Factory Setting is H0000. Mode 1: input voltage mode (6V~10V). Mode 2: input current mode (4mA~20mA). Mode 3: input current mode (-20mA~+20mA). Mode 4: none use.	b15 b14 b13 b12 b11 b10 b9 b8 b7 b6 b5 b4 b3 b2 b1 b0 Reserve must be 0 CH8 CH7 CH6 CH5
#2	H40CA	○	R/W	○	Output Mode Setting	Output mode setting: (CH5~CH8) Mode 0: output voltage mode (0V~10V). Mode 1: output voltage mode (2V~10V). Mode 2: output current mode (4mA~20mA). Mode 3: output current mode (0mA~20mA).	b15 b14 b13 b12 b11 b10 b9 b8 b7 b6 b5 b4 b3 b2 b1 b0 Reserve must be 0 CH8 CH7 CH6 CH5
#3~6	H40CB~H40CE	○	R/W	○	CH1~CH4 average number	The number of readings used for "average" value on channels CH1~CH4. Setting range is K1~K4096 and factory setting is K10.	
#7~10	H40CF~H40D2	×	R	×	CH1~CH4 average Value	Display average value of CH1~CH4 input signal	
#11~14	H40D3~H40D6	×	R/W	×	CH5~CH8 Output Value	Output value of CH5~CH8, the setting range is K0~K4000. The factory setting is K0 and the unit is LSB.	
#15~18	H40D7~H40DA	×	R	×	CH1~CH4 present Value	Display present value of CH1~CH4 input signal	
#19~22	H40DB~H40DE	○	R/W	○	CH1~CH4 Offset Value	Offset setting of CH1~CH4. Factory setting is K0 and unit is LSB. Voltage input: setting range is K-1000~K1000 Current input: setting range is K-1000~K1000	
#23~26	H40DF~H40E2	○	R/W	○	CH5~CH8 Offset Value	Offset setting of CH5~CH8. Factory setting is K0 and unit is LSB. The setting range is K-2000~K2000	
#27~30	H40E3~H40E6	○	R/W	○	CH1~CH4 Gain Value	GAIN setting of CH1~CH4. Factory setting is K1000 and unit is LSB. Voltage input: setting range is K-800~K4000 Current input: setting range is K-800~K2800	
#31~34	H40E7~H40EA	○	R/W	○	CH5~CH8 Gain Value	GAIN setting of CH5~CH8. Factory setting is K2000 and unit is LSB. The setting range is K-1600~K6000	
#35	H40EB	×	R	×	ERROR STATUS	Data register stores the error status, refer to fault code chart for details.	
#36	H40EC	○	R/W	○	Communication address setting	RS-485 communication address. Setting range is K1~K255 and factory setting is K1	
#37	H40ED	○	R/W	○	Communication baudrate setting	Communication baud rate (4800, 9600, 19200, 38400, 57600 and 115200 bps). For ASCII mode, date format is 7Bits, even, 1 stop bit (7 E 1). For RTU mode, date format is 8Bits, even, 1 stop bit (8 E 1). b1: 9600 bps (bit/sec). b2: 19200 bps (bit/sec). b3: 38400 bps (bit/sec). b4: 57600 bps (bit/sec). b5: 115200 bps (bit/sec). b6~b13: Reserved. b14: switch between low bit and high bit of CRC code (only for RTU mode) b15: RTU mode	b15 b14 b13 b12 b11 b10 b9 b8 b7 b6 b5 b4 b3 b2 b1 b0 Reserve must be 0 CH4 CH3 CH2 CH1
#38	H40EE	○	R/W	○	Input setting	Example: Setting of CH1 1. When b0=0: user can set OFFSET and GAIN value of CH1 (CR#19, CR#27). When b0=1, inhibit user to set OFFSET and GAIN value of CH1. 2. b1 means if characteristic register is latched, b1=0 (factory setting, latched), b1=1 (not latched). 3. b2: Set to 1 and PLC will be reset to factory settings	b15 b14 b13 b12 b11 b10 b9 b8 b7 b6 b5 b4 b3 b2 b1 b0 Reserve must be 0 CH8 CH7 CH6 CH5
#39	H40EF	○	R/W	○	Output setting	The setting of CH5~CH8, give CH5 setting for example: b0: b01, b02, b03, b04, b05, b06, b07, b08, b09, b10, b11, b12, b13, b14, b15, b16, b17, b18, b19, b20, b21, b22, b23, b24, b25, b26, b27, b28, b29, b30, b31, b32, b33, b34, b35, b36, b37, b38, b39, b40, b41, b42, b43, b44, b45, b46, b47, b48, b49, b50, b51, b52, b53, b54, b55, b56, b57, b58, b59, b60, b61, b62, b63, b64, b65, b66, b67, b68, b69, b70, b71, b72, b73, b74, b75, b76, b77, b78, b79, b80, b81, b82, b83, b84, b85, b86, b87, b88, b89, b90, b91, b92, b93, b94, b95, b96, b97, b98, b99, b100, b101, b102, b103, b104, b105, b106, b107, b108, b109, b110, b111, b112, b113, b114, b115, b116, b117, b118, b119, b120, b121, b122, b123, b124, b125, b126, b127, b128, b129, b130, b131, b132, b133, b134, b135, b136, b137, b138, b139, b140, b141, b142, b143, b144, b145, b146, b147, b148, b149, b150, b151, b152, b153, b154, b155, b156, b157, b158, b159, b160, b161, b162, b163, b164, b165, b166, b167, b168, b169, b170, b171, b172, b173, b174, b175, b176, b177, b178, b179, b180, b181, b182, b183, b184, b185, b186, b187, b188, b189, b190, b191, b192, b193, b194, b195, b196, b197, b198, b199, b200, b201, b202, b203, b204, b205, b206, b207, b208, b209, b210, b211, b212, b213, b214, b215, b216, b217, b218, b219, b220, b221, b222, b223, b224, b225, b226, b227, b228, b229, b230, b231, b232, b233, b234, b235, b236, b237, b238, b239, b240, b241, b242, b243, b244, b245, b246, b247, b248, b249, b250, b251, b252, b253, b254, b255, b256, b257, b258, b259, b260, b261, b262, b263, b264, b265, b266, b267, b268, b269, b270, b271, b272, b273, b274, b275, b276, b277, b278, b279, b280, b281, b282, b283, b284, b285, b286, b287, b288, b289, b290, b291, b292, b293, b294, b295, b296, b297, b298, b299, b300, b301, b302, b303, b304, b305, b306, b307, b308, b309, b310, b311, b312, b313, b314, b315, b316, b317, b318, b319, b320, b321, b322, b323, b324, b325, b326, b327, b328, b329, b330, b331, b332, b333, b334, b335, b336, b337, b338, b339, b340, b341, b342, b343, b344, b345, b346, b347, b348, b349, b350, b351, b352, b353, b354, b355, b356, b357, b358, b359, b360, b361, b362, b363, b364, b365, b366, b367, b368, b369, b370, b371, b372, b373, b374, b375, b376, b377, b378, b379, b380, b381, b382, b383, b384, b385, b386, b387, b388, b389, b390, b391, b392, b393, b394, b395, b396, b397, b398, b399, b400, b401, b402, b403, b404, b405, b406, b407, b408, b409, b410, b411, b412, b413, b414, b415, b416, b417, b418, b419, b420, b421, b422, b423, b424, b425, b426, b427, b428, b429, b430, b431, b432, b433, b434, b435, b436, b437, b438, b439, b440, b441, b442, b443, b444, b445, b446, b447, b448, b449, b450, b451, b452, b453, b454, b455, b456, b457, b458, b459, b460, b461, b462, b463, b464, b465, b466, b467, b468, b469, b470, b471, b472, b473, b474, b475, b476, b477, b478, b479, b480, b481, b482, b483, b484, b485, b486, b487, b488, b489, b490, b491, b492, b493, b494, b495, b496, b497, b498, b499, b500, b501, b502, b503, b504, b505, b506, b507, b508, b509, b510, b511, b512, b513, b514, b515, b516, b517, b518, b519, b520, b521, b522, b523, b524, b525, b526, b527, b528, b529, b530, b531, b532, b533, b534, b535, b536, b537, b538, b539, b540, b541, b542, b543, b544, b545, b546, b547, b548, b549, b550, b551, b552, b553, b554, b555, b556, b557, b558, b559, b560, b561, b562, b563, b564, b565, b566, b567, b568, b569, b570, b571, b572, b573, b574, b575, b576, b577, b578, b579, b580, b581, b582, b583, b584, b585, b586, b587, b588, b589, b590, b591, b592, b593, b594, b595, b596, b597, b598, b599, b600, b601, b602, b603, b604, b605, b606, b607, b608, b609, b610, b611, b612, b613, b614, b615, b616, b617, b618, b619, b620, b621, b622, b623, b624, b625, b626, b627, b628, b629, b630, b631, b632, b633, b634, b635, b636, b637, b638, b639, b640, b641, b642, b643, b644, b645, b646, b647, b648, b649, b650, b651, b652, b653, b654, b655, b656, b657, b658, b659, b660, b661, b662, b663, b664, b665, b666, b667, b668, b669, b670, b671, b672, b673, b674, b675, b676, b677, b678, b679, b680, b681, b682, b683, b684, b685, b686, b687, b688, b689, b690, b691, b692, b693, b694, b695, b696, b697, b698, b699, b700, b701, b702, b703, b704, b705, b706, b707, b708, b709, b710, b711, b712, b713, b714, b715, b716, b717, b718, b719, b720, b721, b722, b723, b724, b725, b726, b727, b728, b729, b730, b731, b732, b733, b734, b735, b736, b737, b738, b739, b740, b741, b742, b743, b744, b745, b746, b747, b748, b749, b750, b751, b752, b753, b754, b755, b756, b757, b758, b759, b760, b761, b762, b763, b764, b765, b766, b767, b768, b769, b770, b771, b772, b773, b774, b775, b776, b777, b778, b779, b780, b781, b782, b783, b784, b785, b786, b787, b788, b789, b790, b791, b792, b793, b794, b795, b796, b797, b798, b799, b800, b801, b802, b803, b804, b805, b806, b807, b808, b809, b810, b811, b812, b813, b814, b815, b816, b817, b818, b819, b820, b821, b822, b823, b824, b825, b826, b827, b828, b829, b830, b831, b832, b833, b834, b835, b836, b837, b838, b839, b840, b841, b842, b843, b844, b845, b846, b847, b848, b849, b850, b851, b852, b853, b854, b855, b856, b857, b858, b859, b860, b861, b862, b863, b864, b865, b866, b867, b868, b869, b870, b871, b872, b873, b874, b875, b876, b877, b878, b879, b880, b881, b882, b883, b884, b885, b886, b887, b888, b889, b890, b891, b892, b893, b894, b895, b896, b897, b898, b899, b900, b901, b902, b903, b904, b905, b906, b907, b908, b909, b910, b911, b912, b913, b914, b915, b916, b917, b918, b919, b920, b921, b922, b923, b924, b925, b926, b927, b928, b929, b930, b931, b932, b933, b934, b935, b936, b937, b938, b939, b940, b941, b942, b943, b944, b945, b946, b947, b948, b949, b950, b951, b952, b953, b954, b955, b956, b957, b958, b959, b960, b961, b962, b963, b964, b965, b966, b967, b968, b969, b970, b971, b972, b973, b974, b975, b976, b977, b978, b979, b980, b981, b982, b983, b984, b985, b986, b987, b988, b989, b990, b991, b992, b993, b994, b995, b996, b997, b998, b999, b1000, b1001, b1002, b1003, b1004, b1005, b1006, b1007, b1008, b1009, b1010, b1011, b1012, b1013, b1014, b1015, b1016, b1017, b1018, b1019, b1020, b1021, b1022, b1023, b1024, b1025, b1026, b1027, b1028, b1029, b1030, b1031, b1032, b1033, b1034, b1035, b1036, b1037, b1038, b1039, b1040, b1041, b1042, b1043, b1044, b1045, b1046, b1047, b1048, b1049, b1050, b1051, b1052, b1053, b1054, b1055, b1056, b1057, b1058, b1059, b1060, b1061, b1062, b1063, b1064, b1065, b1066, b1067, b1068, b1069, b1070, b1071, b1072, b1073, b1074, b1075, b1076, b1077, b1078, b1079, b1080, b1081, b1082, b1083, b1084, b1085, b1086, b1087, b1088, b1089, b1090, b1091, b1092, b1093, b1094, b1095, b1096, b1097, b1098, b1099, b1100, b1101, b1102, b1103, b1104, b1105, b1106, b1107, b1108, b1109, b1110, b1111, b1112, b1113, b1114, b1115, b1116, b1117, b1118, b1119, b1120, b1121, b1122, b1123, b1124, b1125, b1126, b1127, b1128, b1129, b1130, b1131, b1132, b1133, b1134, b1135, b1136, b1137, b1138, b1139, b1140, b1141, b1142, b1143, b1144, b1145, b1146, b1147, b1148, b1149, b1150, b1151, b1152, b1153, b1154, b1155, b1156, b1157, b1158, b1159, b1160, b1161, b1162, b1163, b1164, b1165, b1166, b1167, b1168, b1169, b1170, b1171, b1172, b1173, b1174, b1175, b1176, b1177, b1178, b1179, b1180, b1181, b1182, b1183, b1184, b1185, b1186, b1187, b1188, b1189, b1190, b1191, b1192, b1193, b1194, b1195, b1196, b1197, b1198, b1199, b1200, b1201, b1202, b1203, b1204, b1205, b1206, b1207, b1208, b1209, b1210, b1211, b1212, b1213, b1214, b1215, b1216, b1217, b1218, b1219, b1220, b1221, b1222, b1223, b1224, b1225, b1226, b1227, b1228, b1229, b1230, b1231, b1232, b1233, b1234, b1235, b1236, b1237, b1238, b1239, b1240, b1241, b1242, b1243, b1244, b1245, b1246, b1247, b1248, b1249, b1250, b1251, b1252, b1253, b1254, b1255, b1256, b1257, b1258, b1259, b1260, b1261, b1262, b1263, b1264, b1265, b1266, b1267, b1268, b1269, b1270, b1271, b1272, b1273, b1274, b1275, b1276, b1277, b1278, b1279, b1280, b1281, b1282, b1283, b1284, b1285, b1286, b1287, b1288, b1289, b1290, b1291, b1292, b1293, b1294, b1295, b1296, b1297, b1298, b1299, b1300, b1301, b1302, b1303, b1304, b1305, b1306, b1307, b1308, b1309, b1310, b1311, b1312, b1313, b1314, b1315, b1316, b1317, b1318, b1319, b1320, b1321, b1322, b1323, b1324, b1325, b1326, b1327, b1328, b1329, b1330, b1331, b1332, b1333, b1334, b1335, b1336, b1337, b1338, b1339, b1340, b1341, b1342, b1343, b1344, b1345, b1346, b1347, b1348, b1349, b1350, b1351, b1352, b1353, b1354, b1355, b1356, b1357, b1358, b1359, b1360, b1361, b1362, b1363, b1364, b1365, b1366, b1367, b1368, b1369, b1370, b1371, b1372, b1373, b1374, b1375, b1376, b1377, b1378, b1379, b1380, b1381, b1382, b1383, b1384, b1385, b1386, b1387, b1388, b1389, b1390, b1391, b1392, b1393, b1394, b1395, b1396, b1397, b1398, b1399, b1400, b1401, b1402, b1403, b1404, b1405, b1406, b1407, b1408, b1409, b1410, b1411, b1412, b1413, b1414, b1415, b1416, b1417, b1418, b1419, b1420, b1421, b1422, b1423, b1424, b1425, b1426, b1427, b1428, b1429, b1430, b1431, b1432, b1433, b1434, b1435, b1436, b1437, b1438, b1439, b1440, b1441, b1442, b1443, b1444, b1445, b1446, b1447, b1448, b1449, b1450, b1451, b1452, b1453, b1454, b1455, b1456, b1457, b1458, b1459, b1460, b1461, b1462, b1463, b1464, b1465, b1466, b1467, b1468, b1469, b1470, b1471, b1472, b1473, b1474, b1475, b1476, b1477, b1478, b1479, b1480, b1481, b1482, b1483, b1484, b1485, b1486, b1487, b1488, b1489, b1490, b1491, b1492, b1493, b1494, b1495, b1496, b1497, b1498, b1499, b1500, b1501, b1502, b1503, b1504, b1505, b1506, b1507, b1508, b1509, b1510, b1511, b1512, b1513, b1514, b1515, b1516, b1517, b1518, b1519, b1520, b1521, b1522, b1523, b1524, b1525, b1526, b1527, b1528, b1529, b1530, b1531, b1532, b1533, b1534, b1535, b1536, b1537, b1538, b1539, b1540, b1541, b1542, b1543, b1544, b1545, b1546, b1547, b1548, b1549, b1550, b1551, b1552, b1553, b1554, b1555, b1556, b1557, b1558, b1559, b1560, b1561, b1562, b1563, b1564, b1565, b1566, b1567, b1568, b1569, b1570, b1571, b1572, b1573, b1574, b1575, b1576, b1577, b1578, b1579, b1580, b1581, b1582, b1583, b1584, b1585, b1586, b1587, b1588, b1589, b1590, b1591, b1592, b1593, b1594, b1595, b1596, b1597, b1598, b1599, b1600, b1601, b1602, b1603, b1604, b1605, b1606, b1607, b1608, b1609, b1610, b1611, b1612, b1613, b1614, b1615, b1616, b1617, b1618, b1619, b1620, b1621, b1622, b1623, b1624, b1625, b1626, b1627, b1628, b1629, b1630, b1631, b1632, b1633, b1634, b1635, b1636, b1637, b1638, b1639, b1640, b1641, b1642, b1643, b1644, b1645, b1646, b1647, b1648, b1649, b1650, b1651, b1652, b1653, b1654, b1655, b1656, b1657, b1658, b1659, b1660, b1661, b1662, b1663, b1664, b1665, b1666, b1667, b1668, b1669, b1670, b1671, b1672, b1673, b1674, b1675, b1676, b1677, b1678, b1679, b1680, b1681, b1682, b1683, b1684, b1685, b1686, b1687, b1688, b1689, b1690, b1691, b1692, b1693, b1694, b1695, b1696, b1697, b1698, b1699, b1700, b1701, b1702, b1703, b1704, b1705, b1706, b1707, b1708, b1709, b1710, b1711, b1712, b1713, b1714, b1715, b1716, b1717, b1718, b1719, b1720, b1721, b1722, b1723, b1724, b1725, b1726, b1727, b1728, b1729, b1730, b1731, b1732, b1733, b1734, b1735, b1736, b1737, b1738, b1739, b1740, b1741, b1742, b1743, b1744, b1745, b1746, b1747, b1748, b1749, b1750, b1751, b1752, b1753, b1754, b1755, b1756, b1757, b1758, b1759, b1760, b1761, b1762, b1763, b1764, b1765, b1766, b1767, b1768, b1769, b1770, b1771, b1772, b1773, b1774, b1775, b1776, b1777, b1778, b1779, b1780, b1781, b1782, b1783, b1784, b1785, b1786, b1787, b1788, b1789, b1790, b1791, b1792, b1793, b1794, b1795, b1796, b1797, b1798, b1799, b1800, b1801, b1802, b1803, b1804, b1805, b1806, b1807, b1808, b1809, b1810, b1811, b1812, b1813, b1814, b1815, b1816, b1817, b1818, b1819, b1820, b1821, b1822, b1823, b1824, b1825, b182	